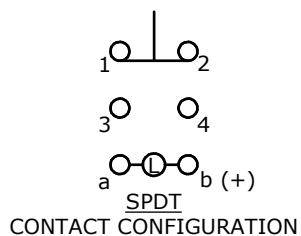
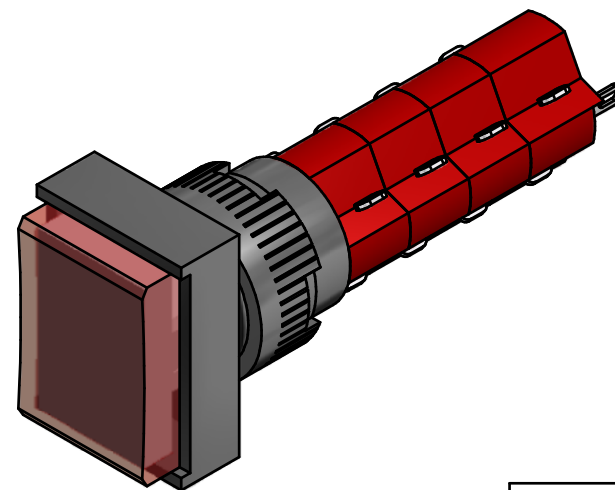
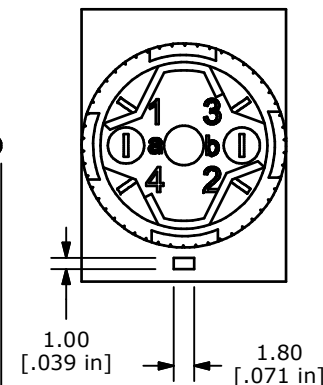
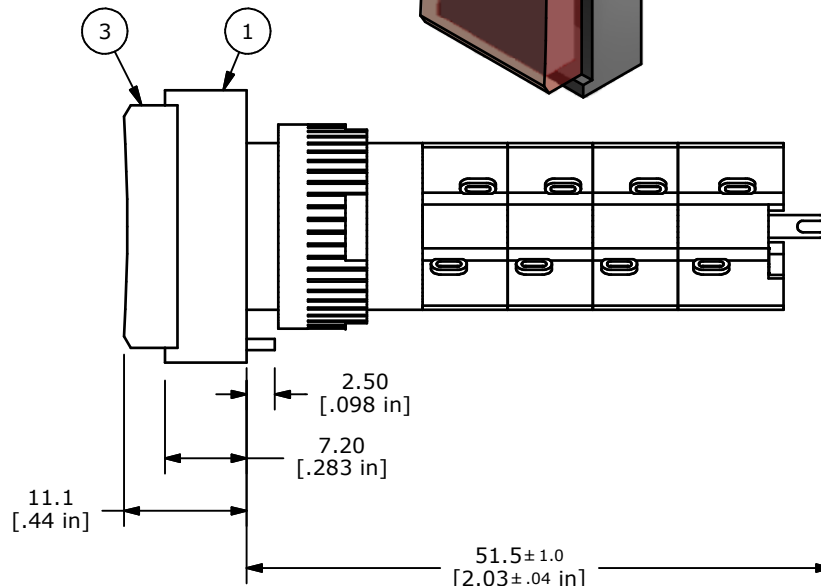
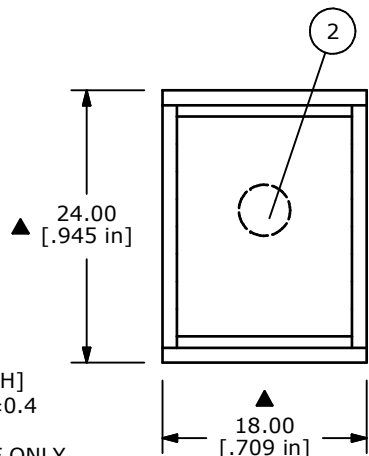


PANEL MOUNTING

PARTS LIST				
ITEM	QTY	PART NUMBER	DESCRIPTION	
1	1	F040044	D16OAT14	
2	1	F050420	5000420 12VDC RED LED	
3	1	F050204	5000204 TRANSPARENT RED LENS RECTANGULAR CONCAVE	



- NOTE:
1. ALL DIMENSIONS IN MM [INCH]
  2. GENERAL TOLERANCE: X.X=±0.4  
X.XX=±0.25
  3. TERMINAL NUMBERS FOR REF ONLY
  4. RATING: 5A @ 250 VAC, 8A @ 125 VAC  
6A @ 24 VDC
  5. ELECTRIC LIFE: 50,000 CYCLES
  6. INSULATION RESISTANCE: 1,000 MΩ MIN.
  7. PANEL THICKNESS: 0.5 - 5.0 mm
  8. SEAL RATING: IP40
  9. OPERATING TEMP.: -25°C to 55°C
  - ▲ 10. LAMP VOLTAGE: 12V DC RED LED
  11. ▲ DENOTES CRITICAL PARAMETER.
  12. 2002/05/EC (ROHS) COMPLIANT.
  13. TRAVEL: 3.0mm FULL



TITLE D16OAT14JREDRED

A	21360	RELEASED FOR PRODUCTION	2/4/14	EBP
REV	PCR NO	DESCRIPTION	DATE	BY

THE INFORMATION CONTAINED IN THIS DOCUMENT IS PROPRIETARY TO E-SWITCH AND IS NOT TO BE COPIED OR TRANSFERRED

SCALE	DATE	DR	DWG	REV
	2/4/2014	EBP	XF0889P	A